

Product specification sheet

MU10| Warm edge muntin bar system

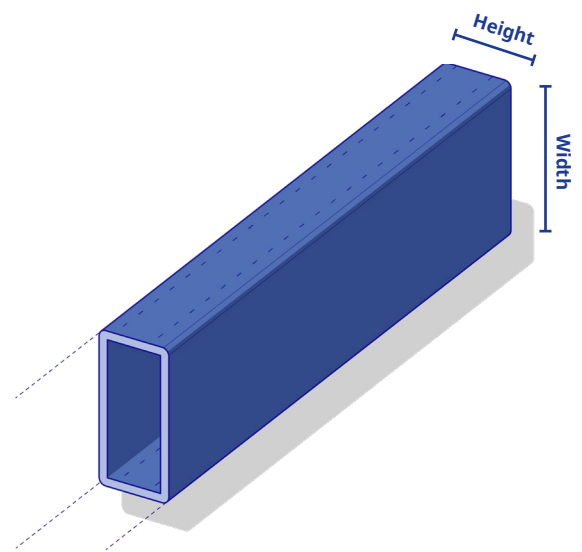
Material: Core consisting of polypropylene and glass fibers, Cover consisting of pure polypropylene

Colors: similar RAL 7035, RAL 7040, RAL 9005, RAL 9016, RAL 8003, RAL 8016

Certificates: EN 1279-6, EN ISO 4892-2

Profile length: 6.000 +10/-0 mm, 3.000 +10/-0 mm

Width ± 0.02 [mm]	Height ± 0.02 [mm]	Recommended air gap [mm]
21,5	9,5	12
25,5	9,5	12
31,5	9,5	12
21,5	11,5	14
25,5	11,5	14
31,5	11,5	14
21,5	13,5	16
31,5	13,5	16



	Specification	Test method
	6000 mm +10/-0 mm	Measuring tape
	0,20 mm +0,3/-0,1 mm	Caliper
	80 N +0 / -50	Dynamometer

	Specification	Test method
	< 0,02 %	Tested at IFT Rosenheim according to EN 1279- 4:2018, appendix H
	No significant color change after 4.000 h	EN ISO 4892-2
	No visible impairments when viewed behind glass at a distance of 50 cm	Technoform Guideline for the assessment of visual quality